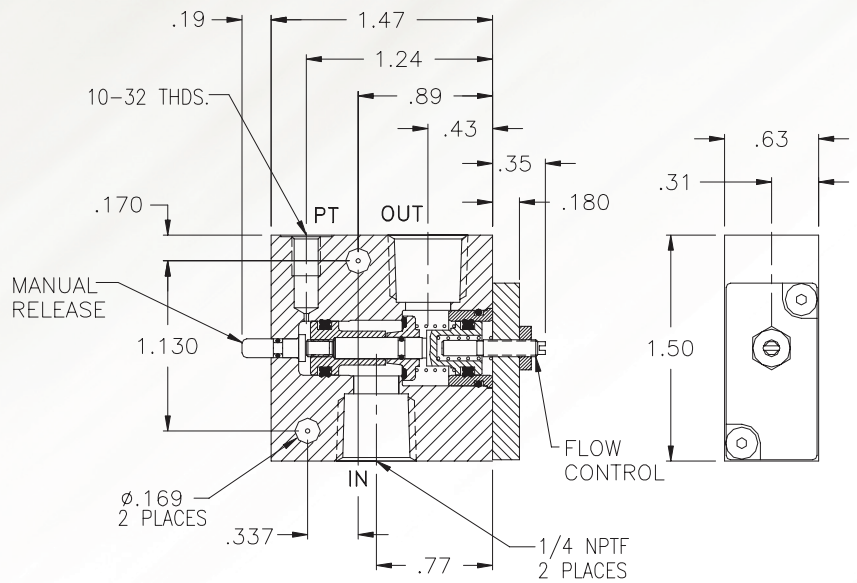
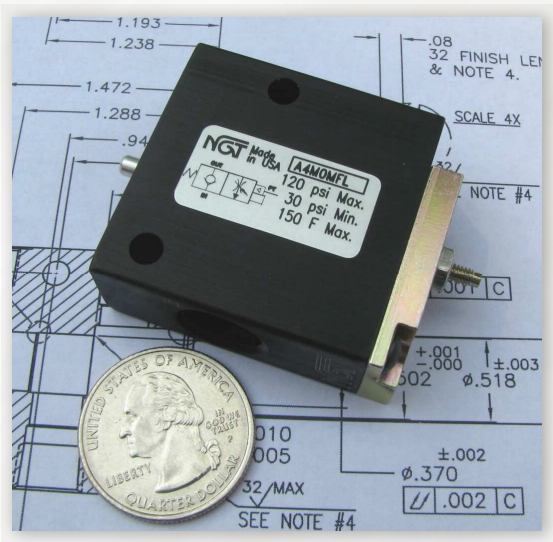


1/4 NPTF Pilot-Operated Locking Valves with Flow Controls

Patents Pending



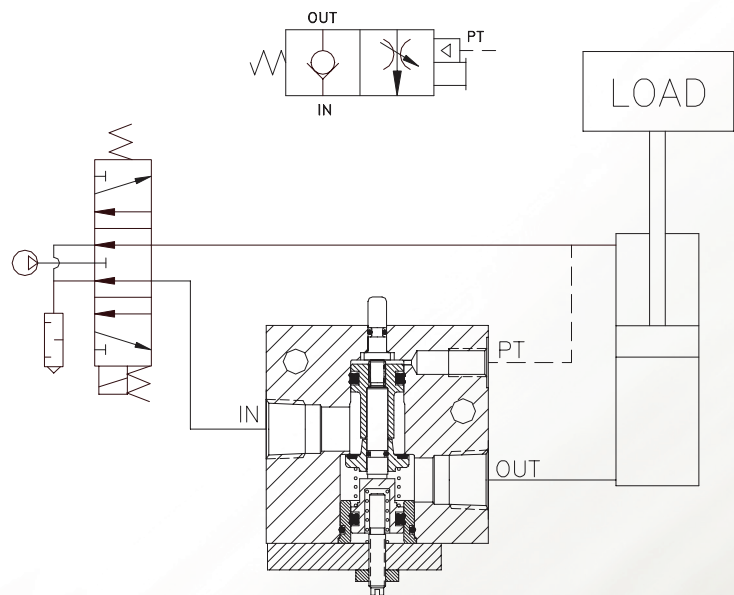
- Manual Release (Metered)
- .000113 cc/min - Leak Rate
- Lower Loads Slowly

Basic Operation:

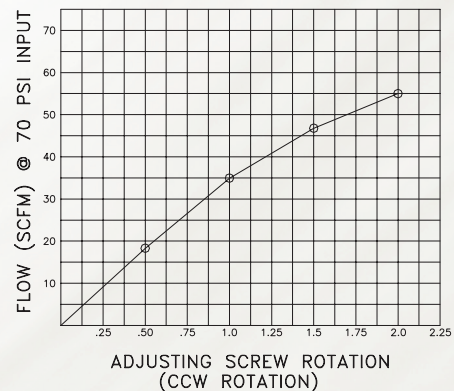
Lock your pneumatic device in position when a pressure drop or total loss of pressure occurs. Slowly lower the load when the valve is piloted open. The manual release for exhausting trapped air is also metered through the flow control, so the load is lowered slowly when the manual release is depressed.

Operating Data:

Max. Pressure:	120 psi
Min. Pilot Pressure:	30 psi @ 80 psi
Leak Rate:	.000113 cc/min
Temp. Range:	30 - 150 F
Cycle Rate:	1 cyc./sec. max.
Flow Capacity (Cv):	1.2
Cracking Pressure:	2-3 psi
Service:	Properly filtered dry air or lubricated air.



No. of Turns	Equivalent Dia (in.)
.5	.12
1.0	.17
1.5	.21
2.0	.24
2.5	.27
3.0	.30



70 PSI INLET AT FULL PRESSURE DROP