



Canister Filters/Disposable Type

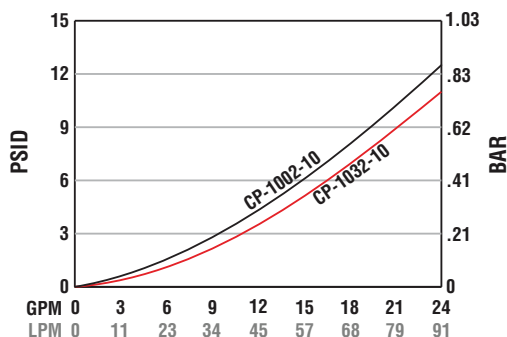
Suction or Return Line Application
 Model Series CP-1000, 1030

Specifications

- Working pressure 200 P.S.I. (14 Bar) 80 PSI ΔP w/o bypass
- Operating Temperatures -22° F to +212° F (-32 C to +100 C)
- Flows to 25 GPM (96 LPM) Return
- Flows to 5 GPM (19 LPM) Suction
- 1" Ports
- Aluminum Casting — Die Cast
- Buna Seals
- Compatible with mineral oils HH, HL, HM, HR, HV, HG, water according to ISO 6743/4
- Element post threads 1 1/8"-16 UNF
- 2-3 (lbs.), 1.4 (kgs.) shipping weight

Options

- NPT or SAE Ports
- 10, micron cellulose
- Visual or electrical indicators
- 2.5, 5, 15, 25, blocked bypass options for suction or return



Temperature 100° F Viscosity 150 SUS
 Average pressure drop through clean assembly

Assembly Ordering Code

CP - 1000 - 10 - P - T

SERIES		MODEL	MEDIA	MODEL	BYPASS		IND. PORTS	
CP	NPT	1000	10	10 MICRON	P	(15 P.S.I.)	OMIT	NONE
CPA	SAE	1030	10	CELLULOSE	R	(25 P.S.I.)	T	1/8 NPT RETURN
					V	(5 P.S.I.)	S	1/8 NPT SUCTION
					H	(2.5 P.S.I.)		
					b	(NO BYPASS)		



For indicator gauge specifications and ordering information see pages 34a-35a



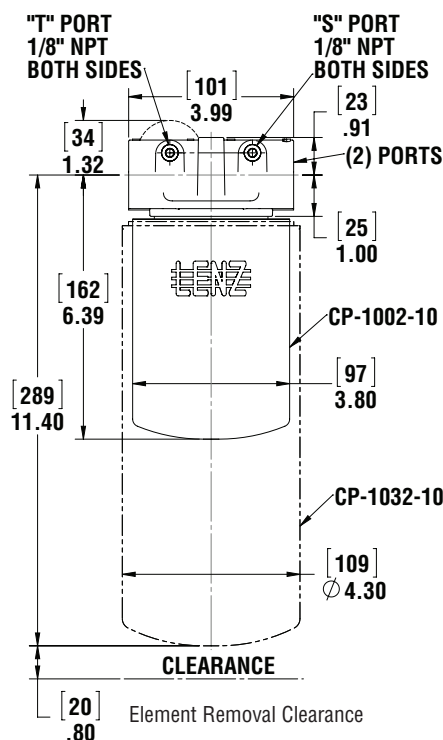
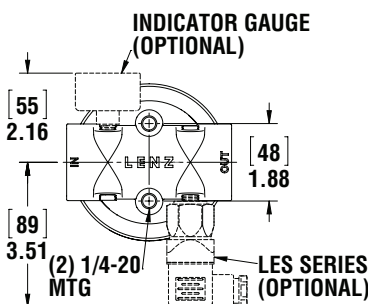
CP-1030 Series



CP-1032-10



CP-1000



Replacement Elements

MODEL NUMBER	MEDIA TYPE MICRON	IN AREA	CM AREA	ELEMENT THREAD	RATING B(X)=2/20/75	DIRT HOLDING CAPACITY (Grams)
CP-1002-10	10 CELLULOSE	453	2922	1 1/8-16 UNF	9/20/23	16
CP-1032-10	10 CELLULOSE	1672	10787	1 1/8-16 UNF	8/33/53	54

Beta Rating Of 2 = 50 % Efficiency
 Beta Rating Of 20 = 95 % Efficiency
 Beta Rating Of 75 = 98.7 % Efficiency

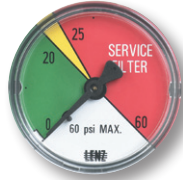
Note: 80 P.S.I. Pressure Drop Maximum Without Bypass Valve In Filter Head



2" Diameter Filter Indicating Gauges



MC-12
Return Line Indicating Gauge
for **15 P.S.I.** Filter Applications
2" Multi color
0-12 P.S.I. Green
12-15 P.S.I. Yellow
15-60 P.S.I. Red (Service Filter)
(To be used with "T" Indicator Port Location)



MC-20
Return Line Indicating Gauge
for **25 P.S.I.** Filter Applications
2" Multi color
0-20 P.S.I. Green
21-24 P.S.I. Yellow
25-60 P.S.I. Red (Service Filter)
(To be used with "T" Indicator Port Location)



CP-2
Compound Indicating Gauge
(Suction or Return Line)
10" to 30" Vacuum is a Red Danger Area.
0-60 PSI
A Red "Change Filter" Sticker for the
Pressure side is included with each gauge
for application after the pressure factor
is determined.
(To be used with "T" or "S" Indicator Port Location)



GLY-MC-20
Glycerin Filled
Return Line Indicating Gauge
for **25 P.S.I.** Filter Applications
2" Multi color
0-20 P.S.I. Green
21-24 P.S.I. Yellow
25-60 P.S.I. Red (Service Filter)
(To be used with "T" Indicator Port Location)



135080
Suction Line Indicating Gauge for
5 P.S.I. vacuum filter application
2" Multi color
0-9" HG Green
9-11" HG Yellow
11-30" HG Red (Service Filter)
(To be used with "S" Indicator Port Location)



VAC-3-20
Suction Line Indicating Gauge
for **3 P.S.I.** vacuum filter applications
2" Multi color
0-3" HG Green
4-6" HG Yellow
6-30" HG Red (Service Filter)
(To be used with "S" Indicator Port Location)



Differential Indicator DP-75

Simple differential sliding
indicator which changes from
green to red at 7 P.S.I.D.
0 - 7 P.S.I.D. Green Clean
7 - 10 P.S.I.D. Red Service Filter
CP Series (500, 750, 1010, 1280,
1580)



Electrical Filter Indicators

Field Adjustable

Specifications:

- 1/8 NPT connection
- 3 AMP 12/24 VDC, 125/250 VAC IP67
- +/- 2% repeatability of full set point range @ 70° F
- Operating temperature 40°F to +250°F (-40°C to 121°C)
- 1,000,000 cycles mechanical range
- Maximum pressure 500 (25 BAR) PSI
- Steel housing, zinc plated
- Buna N diaphragm
- SPDT snap action switch

Options:

- EPDM seals -10°F – 250°F (-23°C – 121°C)
- Viton seals 0 – 250°F (-18°C – 121°C)
- Flying leads

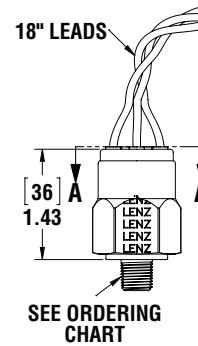
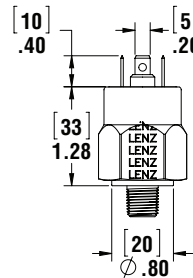
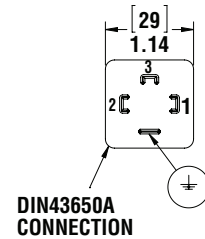
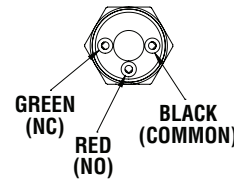
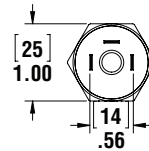


LES-FL

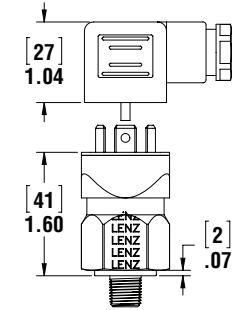


LES-HC

MODEL	ADJUSTMENT RANGE	AVERAGE DIFFERENTIAL	SET PRESSURE
P1	3-20 PSI (.2-1.4 BAR)	2-5 PSI (.13-0.4 BAR)	15 PSI
P2	15-80 PSI (1.03-6 BAR)	4-7 PSI (.27-0.5 BAR)	22 PSI
V1	5-28 IN Hg (160-948mb)	2-4 INHg (67-135mb)	5 Hg



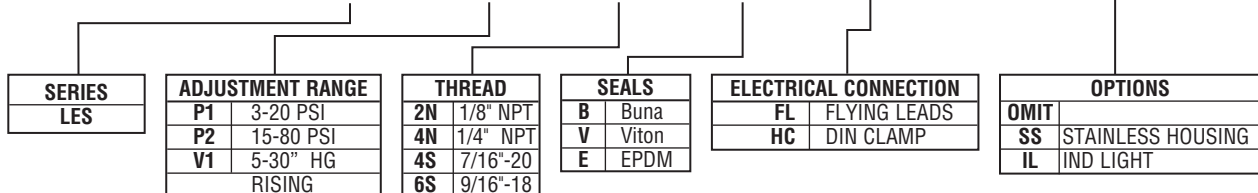
LES-FL



LES-HC

Switch Ordering Code

LES - P1 - 2N - B - HC -



Switch can be used in AC or DC Service.
For other options consult factory.

See Technical Bulletin TB.FIL23.912, or further information at
(Technical Data – www.lenzinc.com)