

# YSCI SERIES Y - STRAINER

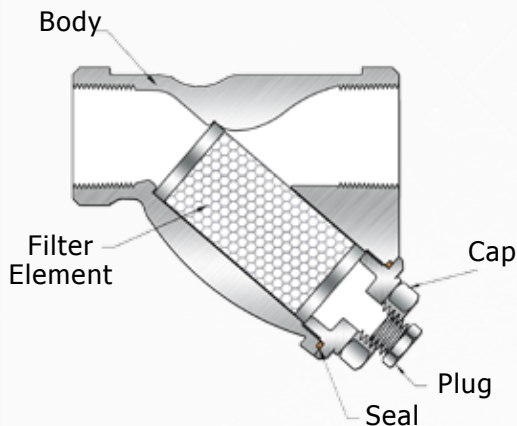
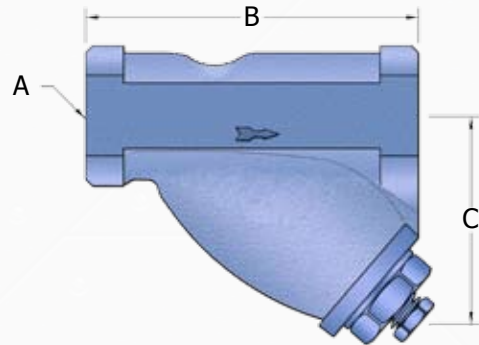


## Features:

- Cast Iron Y Strainer 1/4" to 3"
- ANSI Class 250Lb
- Epoxy Painted Cast Iron Body & Cap
- NPT Threaded Standard
- 400 psi @ 150°F WOG Non-Shock
- 250 psi @ 406°F Saturated Steam Non-Shock
- 250 psi @ 450°F WOG Max Liquid

## Dimensions

PART #	A	B	C	Cv
YSCI-2	1/4"	3.18	2.06	0.7
YSCI-3	3/8"	3.18	2.06	2
YSCI-4	1/2"	3.18	2.06	8
YSCI-6	3/4"	3.75	2.43	15
YSCI-8	1"	4.00	2.62	22
YSCI-10	1-1/4"	5.00	3.37	38
YSCI-12	1-1/2"	5.75	3.87	42
YSCI-16	2"	7.00	4.75	70
YSCI-20	2-1/2"	9.25	5.87	110
YSCI-24	3"	10.00	6.00	160



## Bill of Materials

PART #	Body, Cap & Plug	Filter Element	Seal
YSCI-2	Epoxy Coated Cast Iron ASTM B126 GR B	304 Stainless Steel Std. Screens	Garlock 3200 Non-Asbestos
YSCI-3			
YSCI-4		WOG:	
YSCI-6		1/4" to 2" - 20 Mesh	
YSCI-8		2 1/2" to 3"-1/16"Perf	
YSCI-10		Steam:	
YSCI-12		1/4" to 2" - 30 Mesh	
YSCI-16		2 1/2" to 3"-3/64"Perf	
YSCI-20		(other options available consult factory)	
YSCI-24			

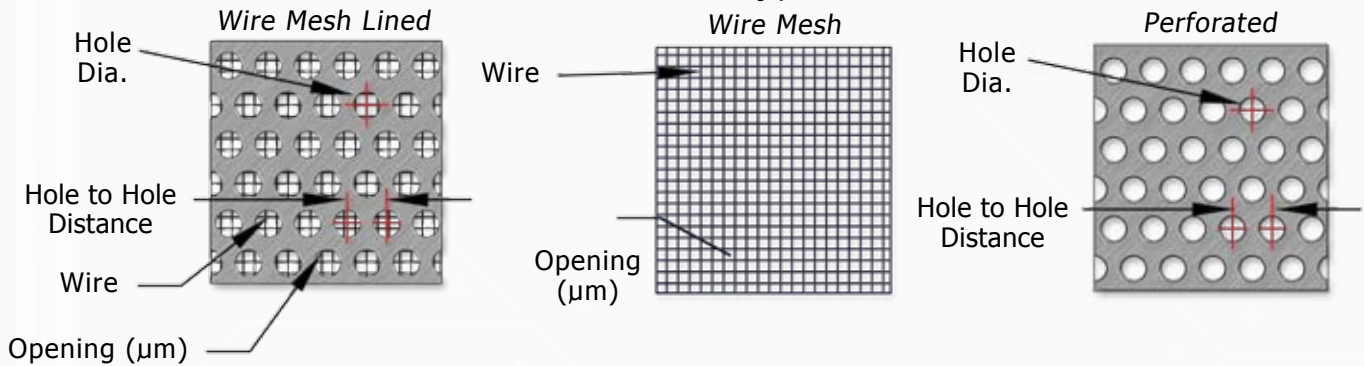


# Y-Strainer Filter Material Data

## General Recommended Sizes By Application

Pipe Size	Filtering Grade	Media					
		Air/Gas	Oil			Steam	Water
			Low Viscosity	Medium Viscosity	High Viscosity		
1/2" Through 2"	Coarse	1/32" Perf	1/16" Perf	1/10" Perf	1/8" Perf	1/32" Perf	1/32" Perf
	Medium	60 Mesh	1/32" Perf	1/16" Perf	1/10" Perf	30 Mesh	20 Mesh
	Fine	100 Mesh	30 Mesh	20 Mesh	1/16" Perf	60 Mesh	30 Mesh
2-1/2" Through 4"	Coarse	1/16" Perf	3/16" Perf	1/4" Perf	3/8" Perf	3/64" Perf	1/8" Perf
	Medium	3/64" Perf	1/8" Perf	3/16" Perf	1/4" Perf	1/32" Perf	1/16" Perf
	Fine	60 Mesh	3/16" Perf	1/8" Perf	3/16" Perf	30 Mesh	3/64" Perf

## Screen Types



### Standard Perf. Sizes

Hole Diameter	Distance hole to hole	% Open Area
1/32"	.055	28
3/64"	.066	36
1/16"	.093	41
1/8"	.187	40
5/32"	.187	63
1/4"	.312	58

### Standard Mesh Sizes

Mesh (Linear in)	Micron (µm)	Wire Diameter
20	914	.014
30	566	.011
40	381	.010
60	246	.007
80	190	.005
100	139	.0045

### NOTES:

- 1.) Unsupported wire mesh strainers are recommended for 2" and under line size not exceeding 200 psi. Anything over these values should use wire mesh lined strainer elements. The most common backing is 5/32" perf.
- 2.) To determine strainer rating, consult engineer. Single strainer applications should be approx. 1/2 opening size of largest projected particle to be strained. However, a good rule of thumb is to not exceed 20 psi drop across a strainer. If exceeding this value, straining may need to be staged with more than one strainer in line. Start with coarse straining and integrate finer additional strainers with finer elements down stream.
- 3.) All strainer mesh and perforated screen 304 stainless steel. Other materials available upon request. (316 SS, Monel)
- 4.) A wide array of nonstandard mesh and perf sizes are available. consult factory for more information.

YS36



Universal Components, Inc.  
1313 Hall Spencer Road  
Rock Hill, SC 29730



Phone: 803-324-5176  
Fax: 803-324-2640  
www.ucimfg.com

